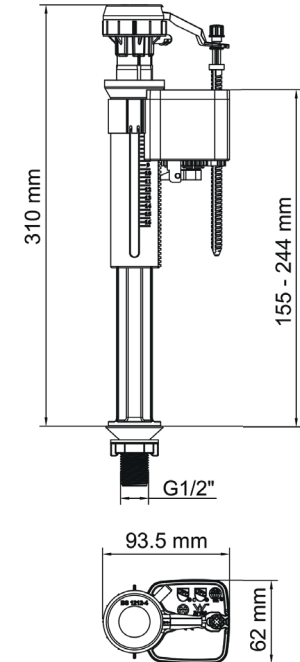


### Features

- Durable 1/2" screw thread.
- Compact size.
- Quiet flush.
- Adjustable float.
- Wide pressure range 0.1-16 bar.
- Suitable for hard and soft water.
- Maintains water level when water pressure drops.
- Water saving delayed inlet.
- WRAS approved.
- 10 Year Warranty.

BRUFVILT<sub>X</sub>



Name	Part number	Connection	EAN	MQ	STD Pallet
BRUAR Bottom Inlet Valve	BRUFVILT <sub>X</sub>	1/2" screw thread	5012799290031	40	800
Aber Flush Valve Kit with Lever Handle	ABERFVKTX	Kit includes both flush and inlet valves	5012799289936	6	240
AIRA Flush Valve Kit with Push Button	AIRAFVKTX	Kit includes both flush and inlet valves	5012799289950	6	240